









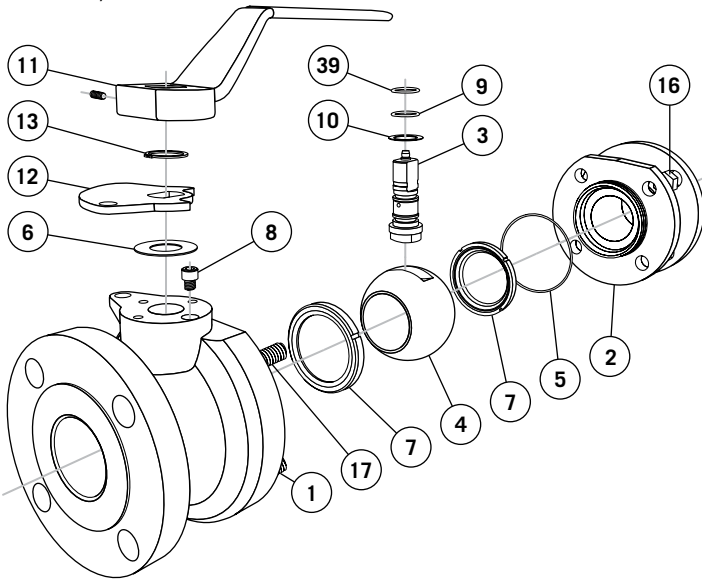






# KF Series F/FE Component Parts, Class 600, 900 & 1500 (Model GXXXX/EXXXX)

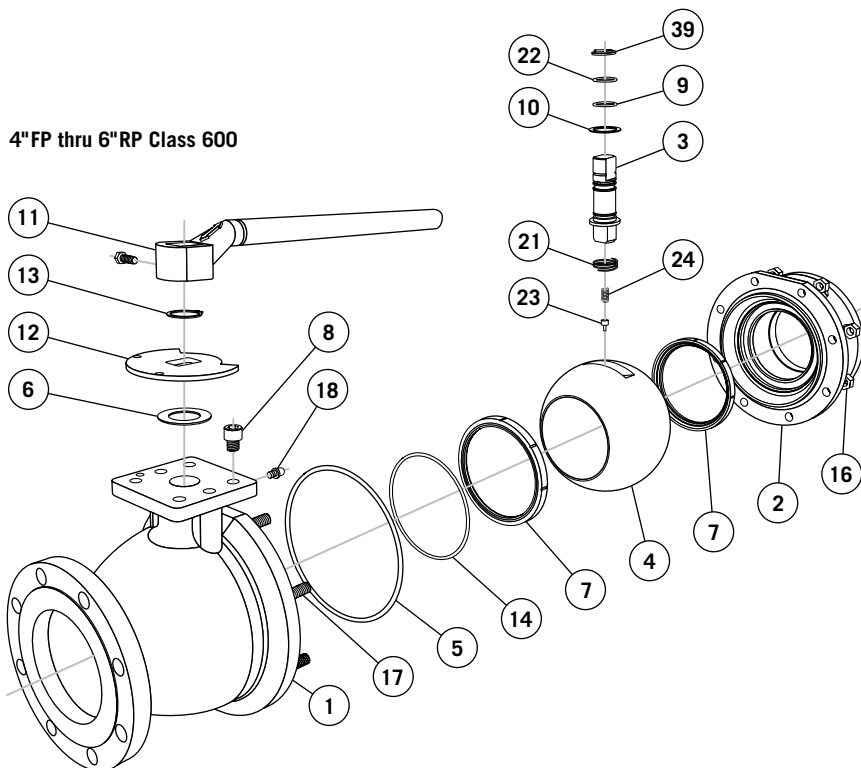
1"FP thru 4"RP  
Class 600, 900 & 1500



Parts List, Class 600, 900 & 1500

Part No.	Description
1	Body
2	Adapter
3	Stem
4	Ball
5	Body Seal
6	Stem Bearing
7	Seat
8	Stop Screw
9	Stem Seal
10	Thrust Bearing
11	Handle Assembly
12	Stop Plate
13	Retainer
16	Hex Nut
17	Stud
39	Weather Seal

4"FP thru 6"RP Class 600



Parts List, Class 600

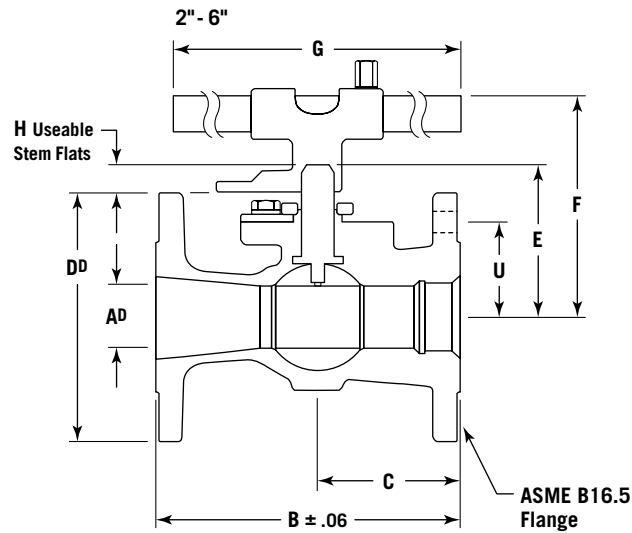
Part No.	Description
1	Body
2	Adapter
3	Stem
4	Ball
5	Body Seal
6	Stem Bearing*
7	Seat
8	Stop Screw*
9	Stem Seal
10	Thrust Bearing
11	Handle Assembly*
12	Stop Plate*
13	Retainer*
14	Adapter Pilot Seal
16	Hex Nut
17	Stud
18	Lube Fitting
21	Ground Spring**
22	Firesafe Stem Packing
23	Ground Plunger*
24	Ground Spring*
39	Weather Seal

\*4" Bore Only

\*\*6" Bore Only



# KF Series F Unibody Dimensional Data (Model G XXXX)



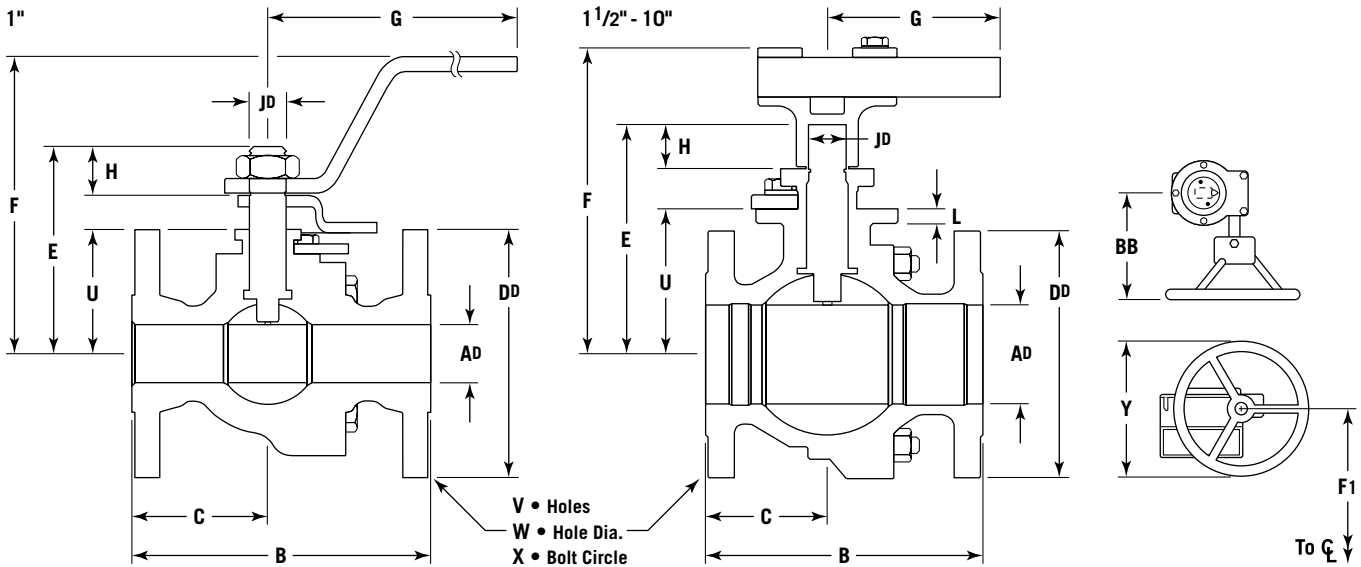
## Dimensional Data (in., mm), 2"-6", Class 150, Reduced Port

Size (in.)	Dimension (in.)									Weight (lbs.)
	A	B	C	D	E	F	G	H	U	
2	1.50	7.00	3.27	6.00	3.69	5.36	17.00	.70	2.31	17.6
3	2.42	8.00	3.46	7.50	4.38	6.05	17.00	.70	3.06	31.5
4	3.00	9.00	4.10	9.00	6.75	8.83	22.00	1.38	4.43	54.2
6	4.50	10.50	5.25	11.00	8.56	10.55	22.00	1.44	6.02	137.0
	Dimension (mm)									(kg)
2	38.1	177.8	83.1	150.9	93.7	136.1	431.8	17.8	58.7	7.98
3	61.5	203.2	87.9	189.0	111.3	153.7	431.8	17.8	77.7	14.29
4	76.2	228.6	104.1	227.1	171.5	224.3	558.8	35.1	112.5	24.58
6	114.3	266.7	133.4	279.4	217.4	268.0	558.8	36.6	152.9	62.14

## Dimensional Data (in., mm), 2"-6", Class 300, Reduced Port

Size (in.)	Dimension (in.)									Weight (lbs.)
	A	B	C	D	E	F	G	H	U	
2	1.50	8.50	3.27	6.50	3.69	5.36	17.00	.70	2.31	26.0
3	2.42	11.12	3.96	8.25	4.38	6.05	17.00	.70	3.06	46.0
4	3.00	12.00	4.10	10.00	6.75	8.83	22.00	1.38	4.43	70.0
6	4.50	15.88	5.25	12.50	8.56	10.55	22.00	1.44	6.02	157.0
	Dimension (mm)									(kg)
2	38.1	215.9	83.1	165.1	93.7	136.1	431.8	17.8	58.7	11.79
3	61.5	282.4	100.6	209.6	111.3	153.7	431.8	17.8	77.7	20.87
4	76.2	304.8	104.1	254	171.5	224.3	558.8	35.1	112.5	31.75
6	114.3	403.4	133.4	317.5	217.4	268.0	558.8	36.6	152.9	71.21

# KF Series F Split Body Dimensional Data (Model G XXXX)



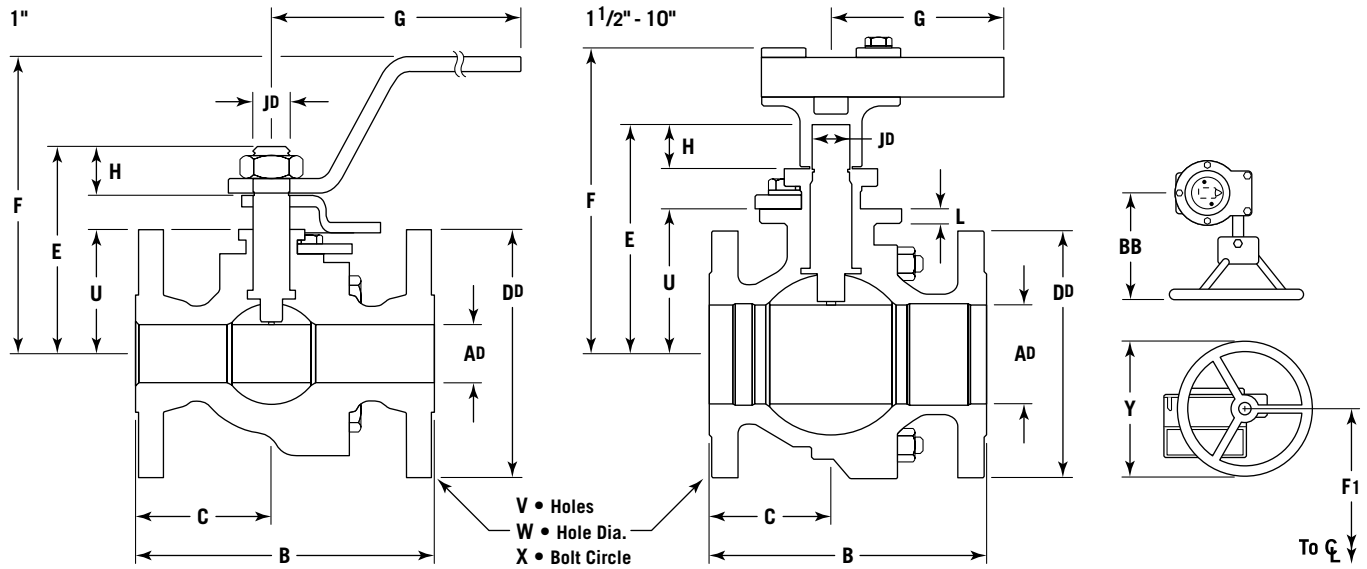
## Dimensional Data (in.), 1"-8", Class 150

Size (in.)	Dimension (in.)																Wt. (lbs.)	
	A	B	C	D	E	F	F1	G	H	J	L	U	V	W	X	Y		BB
1 x 1	1.00	5.00	2.31	4.25	3.50	5.44	—	6.31	1.32	.586	—	1.69	4	.63	3.13	—	—	17.0
1 1/2 x 1 1/2	1.50	6.50	2.96	5.00	3.69	5.75	7.37	15.50	.640	.705	.38	2.31	4	.63	3.88	6.00	6.50	12.8
2 x 2	2.00	7.00	3.02	6.00	4.51	6.56	8.20	15.50	.640	.705	.44	3.14	4	.75	4.75	6.00	6.50	17.6
2 1/2 x 2*	2.00	7.50	2.94	7.00	4.38	6.06	—	8.50	1.00	.873/.871	—	3.06	4	.75	5.50	—	—	37.5
3 x 3	3.00	8.00	3.50	7.50	6.81	10.25	11.63	20.00	1.28	1.067/1.062	.44	4.43	4	.75	6.00	6.00	6.50	31.5
4 x 4	4.00	9.00	4.00	9.00	8.40	11.00	13.08	20.00	1.28	1.321/1.316	.62	5.88	8	.75	7.50	8.00	9.00	54.2
6 x 6	6.00	15.50	7.75	11.00	10.81	11.12	15.63	20.00	1.45	1.515/1.510	.75	8.00	8	.88	9.50	8.00	9.50	137
8 x 6	6.00	11.50	5.13	13.50	10.81	11.12	15.63	20.00	1.45	1.515/1.510	.75	8.00	8	.88	9.50	8.00	9.50	210
8 x 8	8.00	18.00	9.00	13.50	14.25	—	18.26	—	2.27	1.997/1.994	.62	9.64	8	.88	9.50	12.00	9.50	477

## Dimensional Data (in.), 1"-8" Class, 300

Size (in.)	Dimension (in.)																Wt. (lbs.)	
	A	B	C	D	E	F	F1	G	H	J	L	U	V	W	X	Y		BB
1 x 1	1.00	6.50	3.50	4.88	3.50	5.44	—	6.31	1.32	.586	—	1.69	4	.75	3.50	—	—	22.0
1 1/2 x 1 1/2	1.50	7.50	3.53	6.13	3.69	5.75	7.37	15.50	.640	.705	.38	2.31	4	.88	4.50	6.00	6.50	20.0
2 x 2	2.00	8.50	4.25	6.50	4.51	6.56	8.20	15.50	.640	.705	.44	3.14	8	.75	5.00	6.00	6.50	26.0
2 1/2 x 2*	2.00	9.50	4.69	7.50	4.38	6.06	—	8.50	1.00	.873/.871	—	3.06	8	.88	5.88	—	—	43.7
3 x 3	3.00	11.13	5.82	8.25	6.81	10.25	11.63	20.00	1.28	1.067/1.062	.44	4.43	8	.88	6.63	6.00	6.50	46.0
4 x 4	4.00	12.00	6.00	10.00	8.40	11.00	13.08	20.00	1.28	1.321/1.316	.62	5.88	8	.88	7.88	8.00	9.00	70.0
6 x 6	6.00	15.88	7.94	12.50	12.75	—	15.63	—	2.27	1.950/1.945	.62	8.12	12	.88	10.63	12.00	9.50	157.0
8 x 6	6.00	16.50	6.63	15.00	12.75	—	15.63	—	2.27	1.950/1.945	.62	8.12	12	1.00	13.00	12.00	9.50	275
8 x 8	8.00	19.75	9.88	15.00	16.00	—	21.14	—	3.06	2.497/2.492	.62	10.52	12	1.00	13.00	16.00	11.50	624

# KF Series F Split Body Dimensional Data (Model GXXXX)



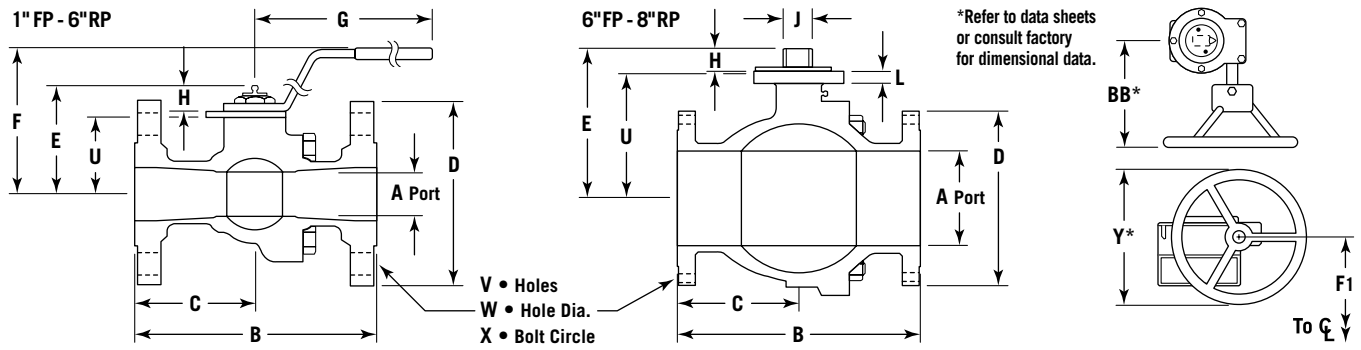
## Dimensional Data (mm), 1"-8", Class 150

Size (in.)	Dimension (mm)																	Wt. (kg)
	A	B	C	D	E	F	F1	G	H	J	L	U	V	W	X	Y	BB	
1 x 1	25.4	127	58.7	108.0	88.9	138.2	—	160.3	33.5	14.0	—	42.9	4	16.0	79.5	—	—	—
1 1/2 x 1 1/2	38.1	165.1	75.2	127	93.7	146.1	—	215.9	16.3	17.9	9.7	58.7	4	16.0	98.6	—	—	—
2 x 2	50.8	177.8	76.7	152.4	115.0	166.6	—	215.9	16.3	17.9	11.2	79.8	4	19.1	120.7	—	—	—
2 1/2 x 2*	50.8	190.5	74.7	177.8	111.3	153.9	—	215.9	25.4	22.17/22.12	—	77.7	4	19.1	139.7	—	—	—
3 x 3	76.2	203.2	88.9	190.5	173.0	260.4	—	381	32.5	27.10/26.97	11.2	112.5	4	19.1	152.4	—	—	—
4 x 4	101.6	228.6	101.6	228.6	213.4	279.4	—	457.2	32.5	33.55/33.43	15.7	149.4	8	19.1	190.5	—	—	—
6 x 6	152.4	393.7	196.9	279.4	274.6	282.4	—	1015.9	36.8	38.48/38.35	19.1	203.2	8	22.4	241.3	—	—	—
8 x 6	152.4	457.2	229	342.9	274.6	282.4	397.0	1015.9	36.8	38.48/38.35	19.1	203.2	8	22.4	298.5	400	321	95.3
8 x 8	203.2	457.2	228.6	342.9	362.0	—	463.8	—	57.7	49.53/49.40	16.7	244.9	8	22.4	298.5	400	321	216.4

## Dimensional Data (mm), 1"-8", Class 300

Size (in.)	Dimension (mm)																	Wt. (kg)
	A	B	C	D	E	F	F1	G	H	J	L	U	V	W	X	Y	BB	
1 x 1	25.4	165.1	88.9	124.0	88.9	138.2	—	160.3	33.5	14.0	—	42.9	4	19.1	88.9	—	—	—
1 1/2 x 1 1/2	38.1	190.5	89.7	155.7	93.7	146.1	—	215.9	16.3	17.9	9.7	58.7	4	22.4	114.3	—	—	—
2 x 2	50.8	215.9	108.0	165.1	115.0	166.6	—	215.9	16.3	17.9	11.2	79.8	8	19.1	127	—	—	—
2 1/2 x 2*	50.8	241.3	119.1	190.5	111.3	153.9	—	215.9	25.4	22.17/22.12	—	77.7	8	22.4	149.4	—	—	—
3 x 3	76.2	282.7	147.8	210.0	173.0	260.4	—	381	32.5	27.10/26.97	11.2	112.5	8	22.4	168.4	—	—	—
4 x 4	101.6	304.8	152.4	254	213.4	279.4	—	457.2	32.5	33.55/33.43	15.7	149.4	8	22.4	200.2	—	—	—
6 x 6	152.4	403.4	201.7	317.5	323.9	—	—	—	57.7	49.53/49.40	16.7	206.2	12	22.4	270.0	400	321	71.2
8 x 6	152.4	501.7	250.8	381	323.9	—	397.0	—	57.7	49.53/49.40	16.7	206.2	12	25.4	330.2	400	321	124.7
8 x 8	203.2	501.7	251.0	381	406.4	—	537.0	—	77.7	62.31/62.18	16.7	267.2	12	25.4	330.2	600	377	283.0

# KF Series F/FE Split Body Dimensional Data (Model GXXXX/E XXXX)



## Dimensional Data (in., mm), 1"FP-6"RP, Class 600

Size (in.)	Dimension (in.)																Wt. (lbs.)	Ring Gr.
	A	B/RF	B/RTJ	C/RF	C/RTJ	D	E	F	G	H	J	L	U	V	W	X		
1FP	1.00	8.5	8.50	3.75	3.75	4.88	3.00	4.19	5.88	.81	.623/.621	—	1.69	4	.75	3.50	25.0	R-16
1 1/2 FP	1.50	9.5	9.50	3.88	3.88	6.13	3.94	5.63	8.50	1.00	.873/.871	—	2.63	4	.88	4.50	30.4	R-20
2RP	1.50	11.5	11.63	4.44	4.50	6.50	3.94	5.63	8.50	1.00	.873/.871	—	2.63	8	.75	5.00	35.0	R-23
2FP	2.00	11.5	11.63	4.44	4.50	6.50	4.38	6.06	8.50	1.00	.873/.871	—	3.06	8	.75	5.00	41.5	R-23
2 1/2 RP	2.00	13.0	13.13	4.94	5.00	7.50	4.38	6.06	8.50	1.00	.873/.871	—	3.06	8	.88	5.88	52.9	R-26
3RP	2.00	14.0	14.13	6.00	6.06	8.25	4.38	6.06	8.50	1.00	.873/.871	—	3.06	8	.88	6.63	61.6	R-31
3FP	3.00	14.0	14.13	5.75	5.81	8.25	5.66	7.25	15.00	1.25	1.248/1.246	—	4.00	8	.88	6.63	89.1	R-31
4RP	3.00	17.0	17.13	7.75	7.81	10.75	5.66	7.25	15.00	1.25	1.248/1.246	—	4.00	8	1.00	8.50	133.8	R-37
4FP	4.00	17.0	17.13	8.50	8.56	10.75	8.59	9.50	48.00	1.69	1.791/1.773	.50	6.50	8	1.00	8.50	167.0	R-37
6RP	4.00	22.0	22.13	11.00	11.06	14.00	8.59	9.50	48.00	1.69	1.791/1.773	.50	6.50	12	1.13	11.50	345.0	R-45

Size (in.)	Dimension (mm)																Wt. (kg)	Ring Gr.
	A	B/RF	B/RTJ	C/RF	C/RTJ	D	E	F	G	H	J	L	U	V	W	X		
1FP	25.4	215.9	215.9	95.3	95.3	123.8	76.2	106.4	151.4	20.6	15.62/15.50	—	42.9	4	19.1	88.9	11.3	R-16
1 1/2 FP	38.1	241.3	241.3	98.4	98.4	155.6	100.0	142.9	215.9	25.4	21.84/21.72	—	66.7	4	22.2	114.3	13.8	R-20
2RP	38.1	292.1	295.3	112.7	114.3	165.1	100.0	142.9	215.9	25.4	21.84/21.72	—	66.7	8	19.1	127.0	15.9	R-23
2FP	50.8	292.1	295.3	112.7	114.3	165.1	111.1	154.0	215.9	25.4	21.84/21.72	—	77.8	8	19.1	127.0	18.8	R-23
2 1/2 RP	50.8	330.2	333.4	125.4	127	190.5	111.1	154.0	215.9	25.4	21.84/21.72	—	77.8	8	22.2	149.2	24.0	R-26
3RP	50.8	355.6	358.8	152.4	154.0	209.6	111.1	154.0	215.9	25.4	21.84/21.72	—	77.8	8	22.2	168.3	27.9	R-31
3FP	76.2	355.6	358.8	146.1	147.6	209.6	143.7	184.2	381.0	31.8	31.37/31.24	—	101.6	8	22.2	168.3	40.4	R-31
4RP	76.2	431.8	435.0	196.9	198.4	273.1	143.7	184.2	381.0	31.8	31.37/31.24	—	101.6	8	25.4	215.9	60.7	R-37
4FP	101.6	431.8	435.0	215.9	217.5	273.1	218.3	241.3	1219.2	42.9	45.49/45.03	12.7	165.1	8	25.4	215.9	75.7	R-37
6RP	101.6	558.8	562.0	279.4	281.0	355.6	218.3	241.3	1219.2	42.9	45.49/45.03	12.7	165.1	12	28.6	292.1	156	R-45

Note: 1"FP-6"RP is weight w/handle.  
6"FP-8"RP is weight w/gear operator.

## Dimensional Data (in., mm), 1"FP, Class 900 & 1500 & 2"RP/FP, Class 900

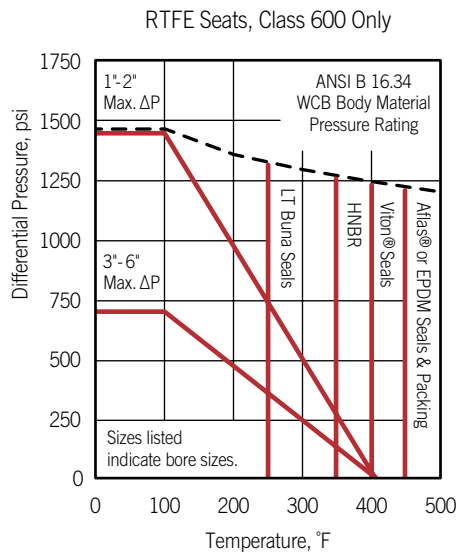
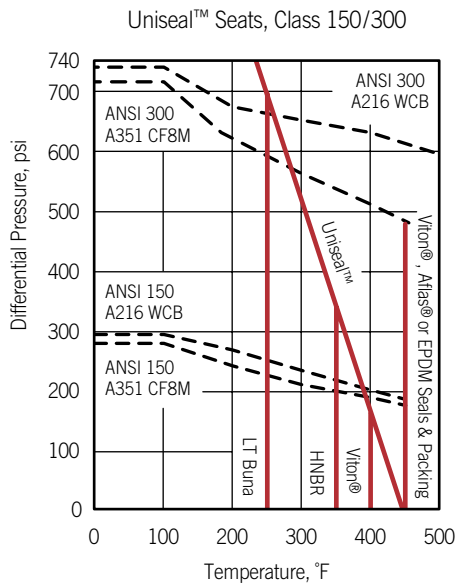
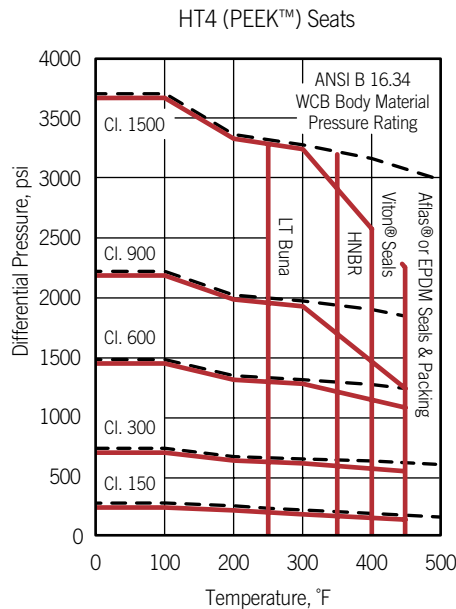
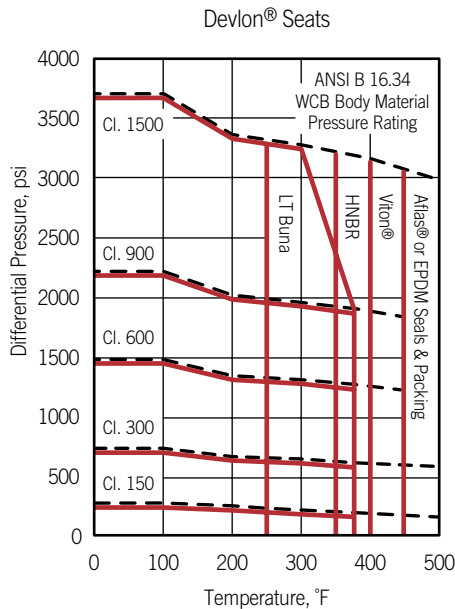
Size (in.)	Dimension (in.)																Wt. (lbs.)	Ring Gr.
	A	B/RF	B/RTJ	C/RF	C/RTJ	D	E	F	G	H	J	L	U	V	W	X		
1FP	1.00	10.00	10.00	4.75	4.75	5.88	3.06	4.50	5.88	1.13	.623/.621	—	2.00	4	1	4.00	28.0	R-16
2RP	1.50	14.50	14.63	7.25	7.31	8.50	3.94	5.63	8.50	1.06	.873/.871	—	2.63	8	1	6.50	42.9	R-24
2FP	2.00	14.50	14.63	7.25	7.31	8.50	4.38	6.06	8.50	1.06	.873/.871	—	3.06	8	1	6.50	51.2	R-24

Size (in.)	Dimension (mm)																Wt. (kg)	Ring Gr.
	A	B/RF	B/RTJ	C/RF	C/RTJ	D	E	F	G	H	J	L	U	V	W	X		
1FP	25.4	254.0	254.0	120.7	120.7	151.4	77.8	114.3	149.2	28.6	15.62/15.49	—	50.8	4	25.4	101.6	12.7	R-16
2RP	38.1	368.3	371.5	184.2	185.7	215.9	100.0	142.9	215.9	27.0	22.17/22.12	—	66.7	8	25.4	165.1	19.5	R-24
2FP	50.8	368.3	371.5	184.2	185.7	215.9	111.1	154.0	215.9	27.0	22.17/22.12	—	77.8	8	25.4	165.1	23.2	R-24

Note: Weight is w/handle. 2"RP & 2"FP are Class 900 only.

# KF Series F/FE Engineering Data

## Pressure Temperature



## Low Temperature Limits

Body Material	°F	°C
LCC	-50	-45.6
WCB	-20	-28.9
CF8M	-50	-45.6

Seat Material	°F	°C
Devlon® V, Teflon®, HT4 (PEEK™)	-50	-45.6

Seal Material	°F	°C
TFE/GRF Packing	-50°	-45.6
Low Temp Buna N	-50°	-45.6
Viton®	-20°	-28.9
Elast-O-Lion® 985	-50°	-45.6
J. Walker® Viton®	+10°	-12.2
HNBR	-40°	-40
Aflas®	+32°	0
EPDM	-50°	-45.6

## Flow Coefficient (C<sub>v</sub>)

Size (in.)	Class			
	150	300	600	900/1500
1 FP	95	85	70	65
1 1/2 FP	240	220	195	—
2 RP	165	155	165	175*
2 FP	485	440	380	340*
2 1/2 RP	310	295	285	—
3 RP	190	195	190	—
3 FP	1340	1130	1015	—
4 RP	540	545	455	—
4 FP	2690	2330	1950	—
6 RP	705	780	665	—
6 FP	5640	5580	—	—
8 RP	2140	2160	—	—
8 FP	11,160	10,660	—	—

\*Class 900 only

## Method of Calculating Flow

The Flow Coefficient "C<sub>v</sub>" of a valve is the flow rate of water (gallons/minute) through a fully opened valve, with a pressure drop of 1 psi across the valve. To find the flow of liquid through valve from the C<sub>v</sub>, use the following formulas:

## Liquid Flow

QL = Flow rate of liquid (gal./min.)  
 ΔP = Differential pressure across the valve (psi)  
 G = Specific gravity of liquid (for water, G=1)

$$Q_L = C_v \sqrt{\frac{\Delta P}{G}}$$

## Gas Flow

Qg = Flow rate of gas (CFH at STP)  
 P2 = Outlet pressure (psia)  
 g = Specific gravity of gas (for air, g=1.000)

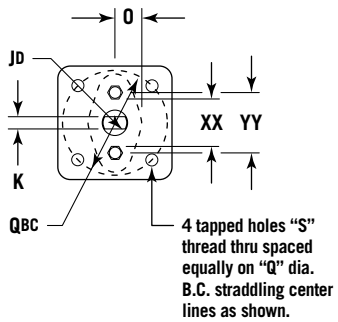
$$Q_g = 61C_v \sqrt{\frac{P_2 \Delta P}{g}}$$

For non-critical flow

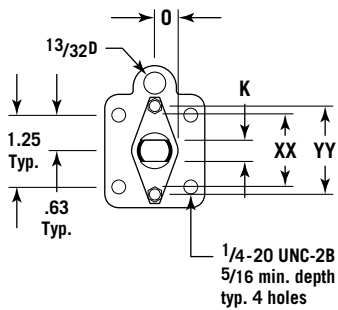
$$\left\{ \frac{\Delta P}{P_2} < 1.0 \right\}$$

# KF Series F Topworks & Stem Dimensions (Model GXXXX)

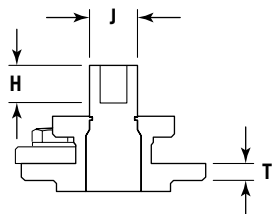
Unibody • Cl. 150 & 300, 2"RP-6"RP  
Split Body • Cl. 150 & 300, 1.5"FP-8"FP



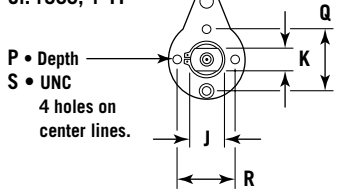
Split Body • Cl. 150 & 300, 1"FP Only



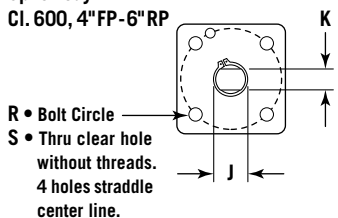
Unibody & Split Body  
Cl. 150-1500, 1"FP-8"FP



Split Body  
Cl. 600, 1"FP-4"RP  
Cl. 900, 1"FP-2"RP  
Cl. 1500, 1"FP



Split Body  
Cl. 600, 4"FP-6"RP



## KF Unibody Ball Valves (in., mm), Class 150 & 300

Size (in.)	Class	Dimension (in.)							
		H	J	K	O	Q	S (UNC)	XX	YY
2-3RP	150/300	0.70	.700/.710	.376/.373	0.81	3.25	3/8-16	1.49	2.12
4RP	150/300	1.38	1.067/1.062	.674/.670	1.36	4.13	3/8-16	2.54	3.38
6RP	150/300	1.44	1.321/1.316	.865/.861	1.36	4.41	1/2-13	2.54	3.38

Dimension (mm)									
2-3RP	150/300	17.78	17.78/18.03	9.55/9.47	20.57	82.55	3/8-16	37.85	53.85
4RP	150/300	35.05	27.10/26.97	17.12/17.02	34.54	104.90	3/8-16	64.52	85.85
6RP	150/300	36.58	33.55/33.43	21.97/21.87	34.54	112.01	1/2-13	64.52	85.85

## KF Split Body Ball Valves (in., mm), Class 150 & 300

Size (in.)	Class	Dimension (in.)								
		H	J	K	O	Q	S (UNC)	T	XX	YY
1FP	150/300	1.32	.581/.591	.371/.369	.56	—	1/4-20	—	.89	1.38
1.5FP	150/300	.64	.700/.710	.376/.373	.81	3.25	3/8-16	.380	1.49	2.12
2FP	150/300	.64	.700/.710	.376/.373	.81	3.25	3/8-16	.440	1.49	2.12
2.5RP	150/300	1.00	.860/.855	.559/.556	.81	1.75	1/4-20	.440	1.26	1.75
3FP	150/300	1.28	1.067/1.062	.674/.670	1.36	4.13	3/8-16	—	2.54	3.38
4FP	150/300	1.28	1.321/1.316	.865/.861	1.36	4.41	1/2-13	.440	2.54	3.38
6FP/	150	1.45	1.515/1.510	1.065/1.061	1.36	5.13	5/8-11	.760	2.97	4.02
8RP	300	2.27	1.950/1.945	1.249/1.245	1.58	5.13	5/8-11	.620	2.97	4.02
8FP	150	2.27	1.950/1.945	1.249/1.245	1.58	5.13	5/8-11	.620	2.97	4.02
	300	3.06	2.453/2.448	1.749/1.745	2.10	6.75	3/4-10	.620	3.81	5.00

Dimension (mm)										
1FP	150/300	33.53	14.76/15.01	9.42/9.37	14.22	—	1/4-20	—	22.60	35.05
1.5FP	150/300	16.26	17.78/18.03	9.55/9.47	20.57	82.55	3/8-16	9.65	37.85	53.85
2FP	150/300	16.26	17.78/18.03	9.55/9.47	20.57	82.55	3/8-16	11.18	37.85	53.85
2.5RP	150/300	25.40	21.84/21.72	14.20/14.12	20.57	44.45	1/4-20	11.18	32.00	44.45
3FP	150/300	32.51	27.10/26.99	17.12/17.02	34.54	104.90	3/8-16	—	64.52	85.85
4FP	150/300	32.51	33.55/33.43	21.97/21.87	34.54	112.01	1/2-13	11.18	64.52	85.85
6FP/	150	36.83	38.48/38.35	27.05/26.95	34.54	130.30	5/8-11	19.30	75.44	102.11
8RP	300	57.66	49.53/49.40	31.72/31.62	40.13	130.30	5/8-11	15.75	75.44	102.11
8FP	150	57.66	49.53/49.40	31.72/31.62	40.13	130.30	5/8-11	15.75	75.44	102.11
	300	77.72	62.31/62.18	44.42/44.32	53.34	171.45	3/4-10	15.75	96.77	127.00

## KF Split Body Ball Valves (in., mm), Class 600, 900 & 1500

Size (in.)	Class	Dimension (in.)							
		H	J	K	P	Q	R	S (UNC*)	T
1FP	600	.81	.615/.610	.371/.369	.31	1.25	1.25	1/4-20	—
	900/1500	1.13	.615/.610	.371/.369	.31	1.25	1.25	1/4-20	—
2, 2.5 & 3RP	600	1.00	.860/.855	.559/.556	.38	1.75	1.75	1/4-20	—
1.5-2FP									
2RP/2FP	900	1.06	.860/.855	.559/.556	.38	1.75	1.75	1/4-20	—
3FP/4RP	600	1.25	1.235/1.230	.621/.618	.63	3.13	2.25	5/16-18	—
4FP/6RP	600	1.69	1.750/1.740	1.248/1.246	—	—	4.25	7/16 thru	.495

Dimension (mm)									
1FP	600	20.57	15.62/15.49	9.42/9.37	7.87	31.75	31.75	1/4-20	—
	900/1500	28.70	15.62/15.49	9.42/9.37	7.87	31.75	31.75	1/4-20	—
2, 2.5 & 3RP	600	25.40	21.84/21.72	14.20/14.12	9.65	44.45	44.45	1/4-20	—
1.5-2FP									
2RP/2FP	900	26.92	21.84/21.72	14.20/14.12	9.65	44.45	44.45	1/4-20	—
3FP/4RP	600	31.75	31.37/31.24	15.77/15.70	16.00	79.50	57.15	5/16-18	—
4FP/6RP	600	42.93	44.45/43.18	31.70/31.65	—	—	107.95	7/16 thru	12.57

\*4"FP-6"RP is a thru clear hole without threads.

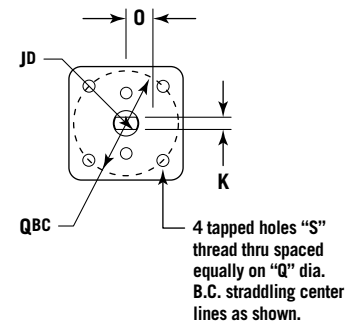
# KF Series FE Topworks & Stem Dimensions (Model E XXXX)

## KF Split Body Ball Valves (in., mm), Class 150, 300 & 600

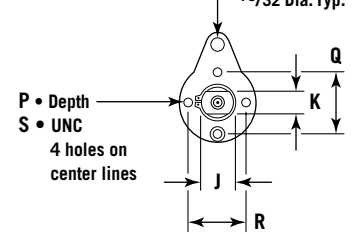
Size (in.)	Class	Dimension (in.)							
		H	J	K	P	Q	R	S (UNC*)	T
1FP	150/300	1.00	.615/.610	.371/.369	—	—	—	1/4-20	—
	600	.81	.615/.610	.371/.369	.30	1.3	1.25	1/4-20	—
1.5FP	150/300	.99	.860/.855	.559/.556	—	3.3	—	3/8-16	.38
	600	1.00	.860/.855	.559/.556	.40	1.8	1.75	1/4-20	—
2RP	150/300	1.00	.860/.855	.559/.556	—	3.3	—	3/8-16	.38
2FP	150/300	1.02	.860/.855	.559/.556	—	3.3	—	3/8-16	.44
	600	1.00	.860/.855	.559/.556	.40	1.8	1.75	1/4-20	—
3RP	150/300	1.02	.860/.855	.559/.556	—	3.3	—	3/8-16	.44
3FP	150/300	1.22	1.235/1.230	.621/.618	—	4.1	—	3/8-16	.44
	600	1.25	1.235/1.230	.621/.618	.60	3.1	2.25	5/16-18	—
4RP	150/300	1.22	1.235/1.230	.621/.618	—	4.1	—	3/8-16	.44
4FP/	150/300	1.52	1.360/1.355	.746/.743	—	4.4	—	1/2-13	.62
6RP	600	1.69	1.750/1.740	1.248/1.246	—	—	4.25	7/16 thru	.50
6FP	150	1.26	1.557/1.552	1.065/1.061	—	5.1	—	5/8-11	.76
	300	2.38	1.997/1.992	1.249/1.245	—	5.1	—	5/8-11	.62
	600	2.88	2.497/2.492	1.749/1.745	—	—	6.75	3/4-10	.62
8RP	150	1.26	1.557/1.552	1.065/1.061	—	5.1	—	5/8-11	.62
	300	2.38	1.997/1.992	1.249/1.245	—	5.1	—	5/8-11	.62
8FP	150	2.24	1.997/1.992	1.249/1.245	—	5.1	—	5/8-11	.62
	300	2.61	2.497/2.492	1.749/1.745	—	6.8	—	3/4-10	.62
		Dimension (mm)							
1FP	150/300	25.40	15.62/15.49	9.42/9.37	—	—	—	1/4-20	—
	600	20.57	15.62/15.49	9.42/9.37	7.62	33.02	31.75	1/4-20	—
1.5FP	150/300	25.15	21.84/21.72	14.20/14.12	—	83.82	—	3/8-16	9.65
	600	25.40	21.84/21.72	14.20/14.12	10.16	45.72	44.45	1/4-20	—
2RP	150/300	25.40	21.84/21.72	14.20/14.12	—	83.82	—	3/8-16	9.65
2FP	150/300	25.91	21.84/21.72	14.20/14.12	—	83.82	—	3/8-16	11.18
	600	25.40	21.84/21.72	14.20/14.12	10.16	45.72	44.45	1/4-20	—
3RP	150/300	25.91	21.84/21.72	14.20/14.12	—	83.82	—	3/8-16	11.18
3FP	150/300	30.99	31.37/31.24	15.77/15.70	—	104.14	—	3/8-16	11.18
	600	31.75	31.37/31.24	15.77/15.70	15.24	78.74	57.15	5/16-18	—
4RP	150/300	30.99	31.37/31.24	18.95/18.87	—	104.14	—	3/8-16	11.18
4FP/	150/300	38.61	34.54/34.41	31.70/31.65	—	111.76	—	1/2-13	15.75
6RP	600	42.93	44.45/44.20	27.05/26.95	—	—	107.95	7/16 thru	12.70
	150	32.00	39.55/39.42	31.72/31.62	—	129.54	—	5/8-11	19.30
6FP	300	60.45	50.72/50.60	44.42/44.32	—	129.54	—	5/8-11	15.75
	600	73.15	63.42/63.30	27.05/26.95	—	—	171.45	3/4-10	15.75
8RP	150	32.00	39.55/39.42	31.72/31.62	—	129.54	—	5/8-11	15.75
	300	60.45	50.72/50.60	31.72/31.62	—	129.54	—	5/8-11	15.75
8FP	150	56.90	50.72/50.60	44.42/44.32	—	129.54	—	5/8-11	15.75
	300	66.29	63.42/63.30	39.55/39.42	—	172.72	—	3/4-10	15.75

\*4"FP-6"RP is a thru clear hole without threads.

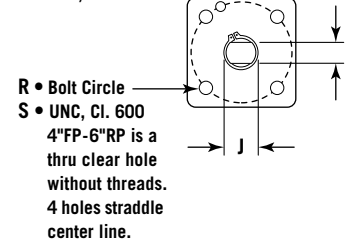
### Split Body • Cl. 150 & 300, 1"FP-8"FP



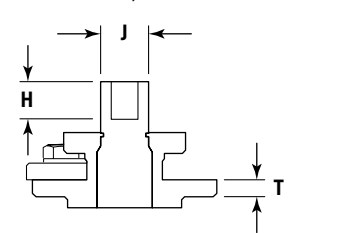
### Split Body Cl. 600, 1"FP-4"RP



### Split Body Cl. 600, 4"FP-6"RP



### Split Body Cl. 150-600, 1"FP-8"FP





CIRCOR is a market-leading, global provider of integrated flow control solutions, specializing in the manufacture of highly engineered valves, instrumentation, pumps, pipeline products and services, and associated products, for critical and severe service applications in the oil and gas, power generation, process, aerospace, and defense industries.

## Excellence In Flow Control

Asia | Europe | Middle East | North America | South America



KF Valves

[www.circor.com/kf-valves](http://www.circor.com/kf-valves)

©2018 CIRCOR. All rights reserved.  
04729\_CRE\_KFValves\_FlangedFloatingBallValves\_L1

CIRCOR reserves the right to change designs, materials, or specifications without notice or without obligation to furnish or install such changes on products previously or subsequently sold.